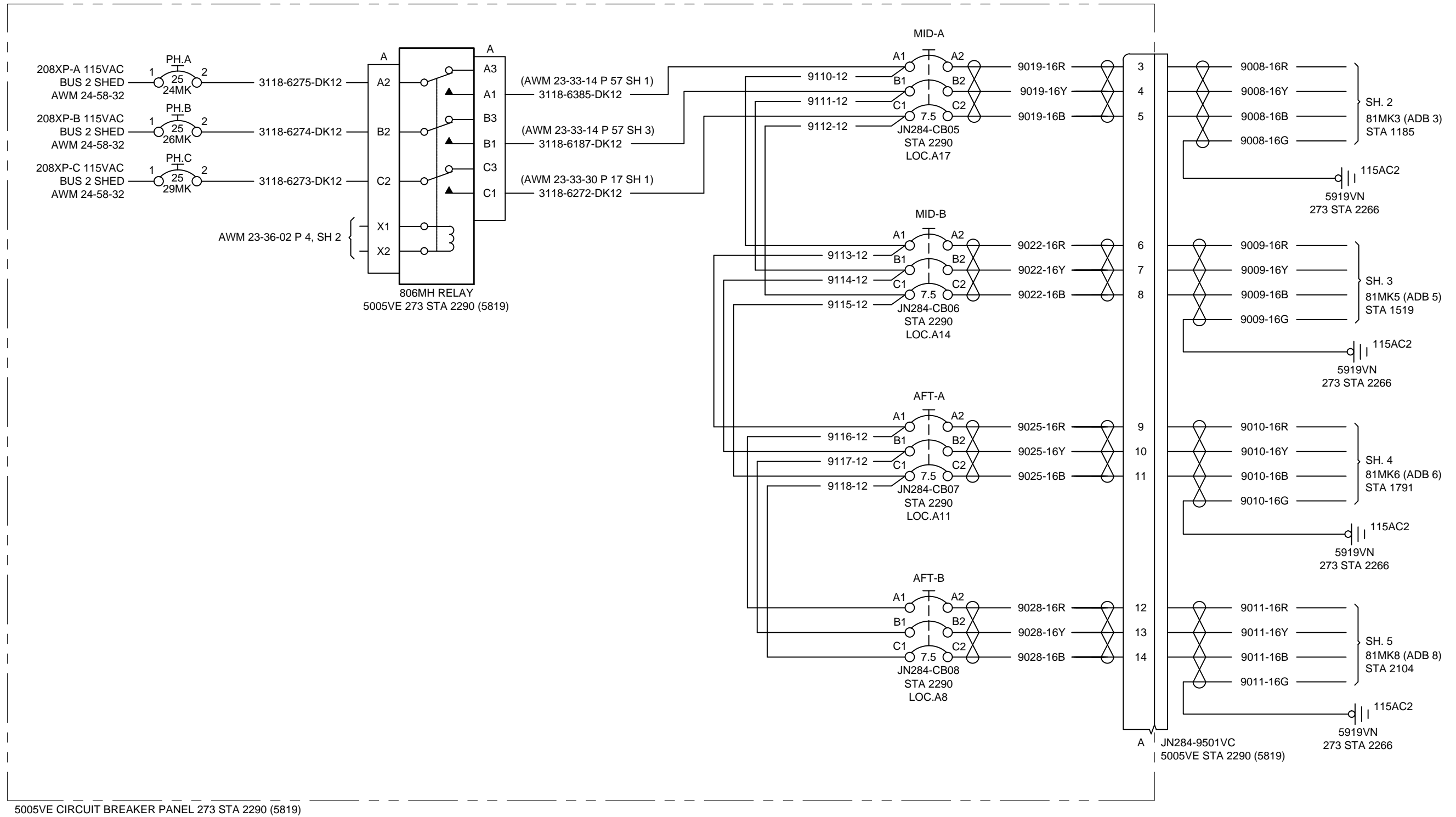
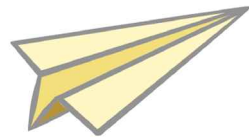
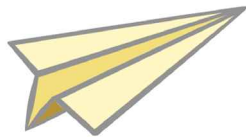


CHAPTER

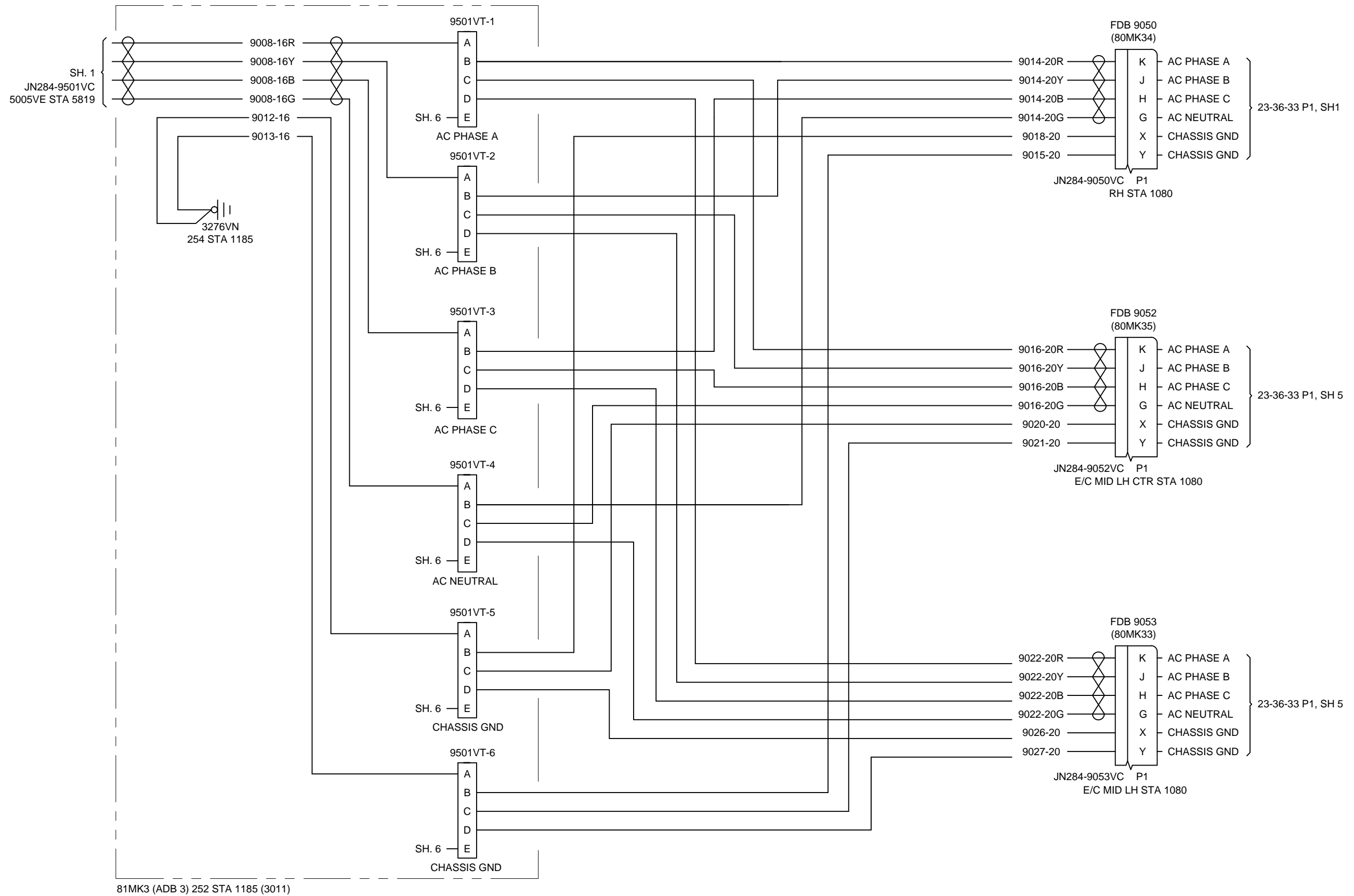
23

COMMUNICATIONS





A340 Wiring Diagram Manual



81MK3 (ADB 3) 252 STA 1185 (3011)

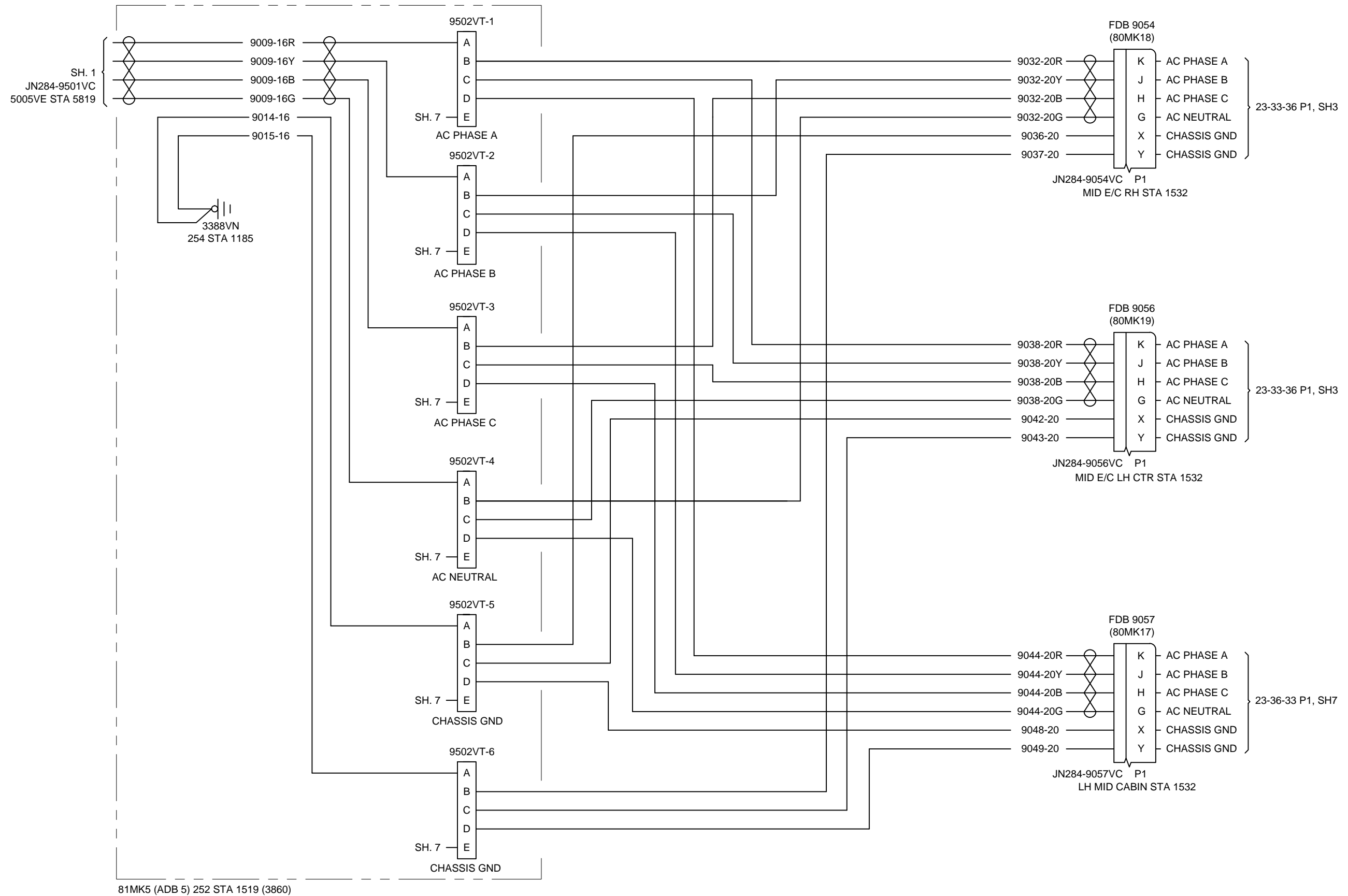
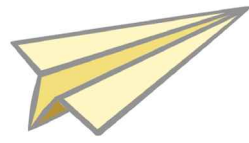
Effectivity: ALL

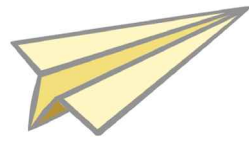
SYSTEM POWER DISTRIBUTION - E/C

23-33-40

Page 1 Sheet 2
30th April 2012

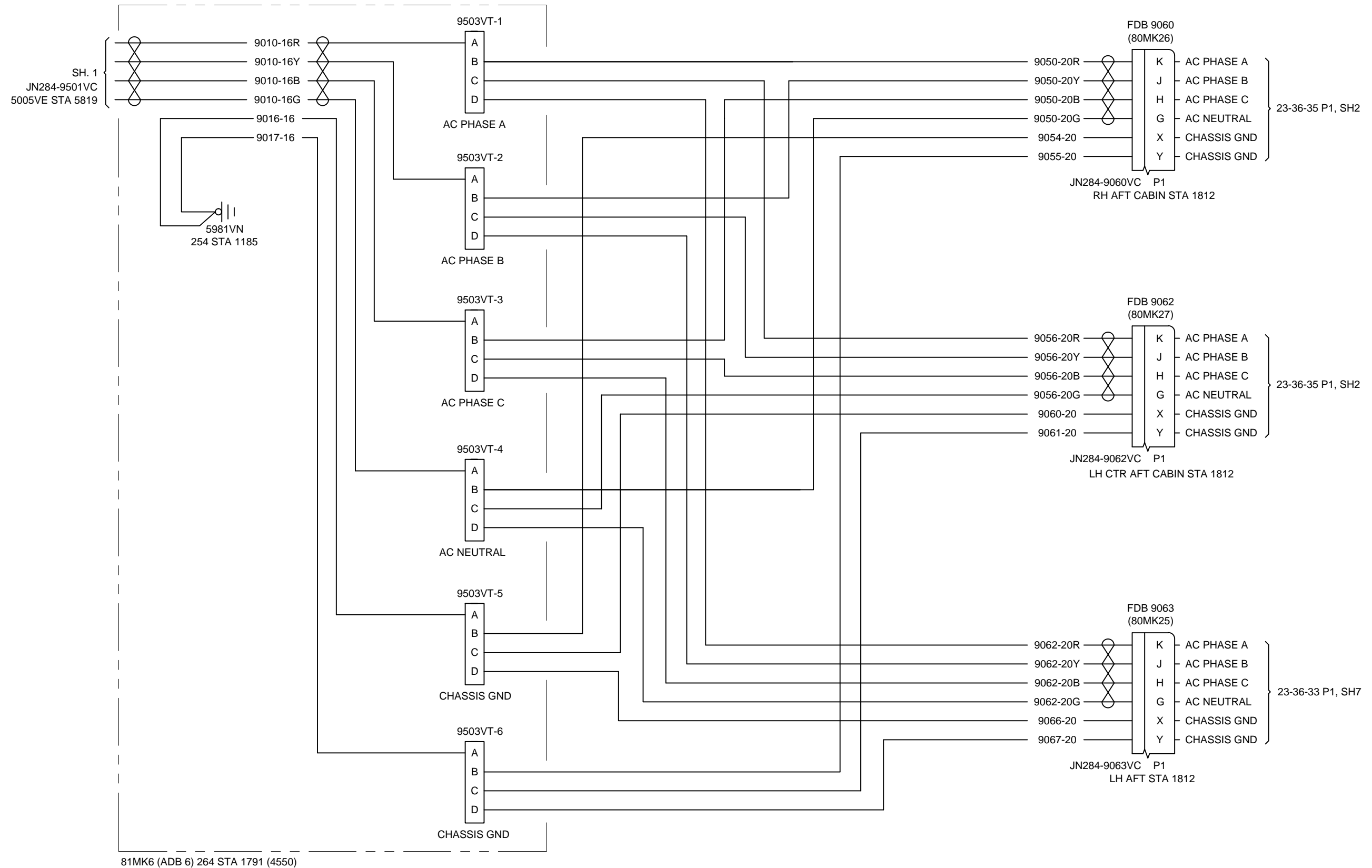
UNLESS OTHERWISE SPECIFIED ALL WIRES IDENTIFICATION ARE PREFIXED WITH JN284-2333
UNLESS OTHERWISE SPECIFIED ALL ROUTES ARE 2M
UNLESS OTHERWISE SPECIFIED STATION (STA) NUMBERING IS IN INCHES (MILLIMETERS)





A340 Wiring Diagram Manual

A340-WDM-Supp 001
Rev. 1



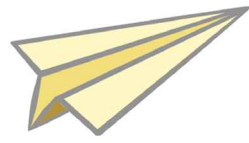
Effectivity: ALL

SYSTEM POWER DISTRIBUTION - E/C

23-33-40

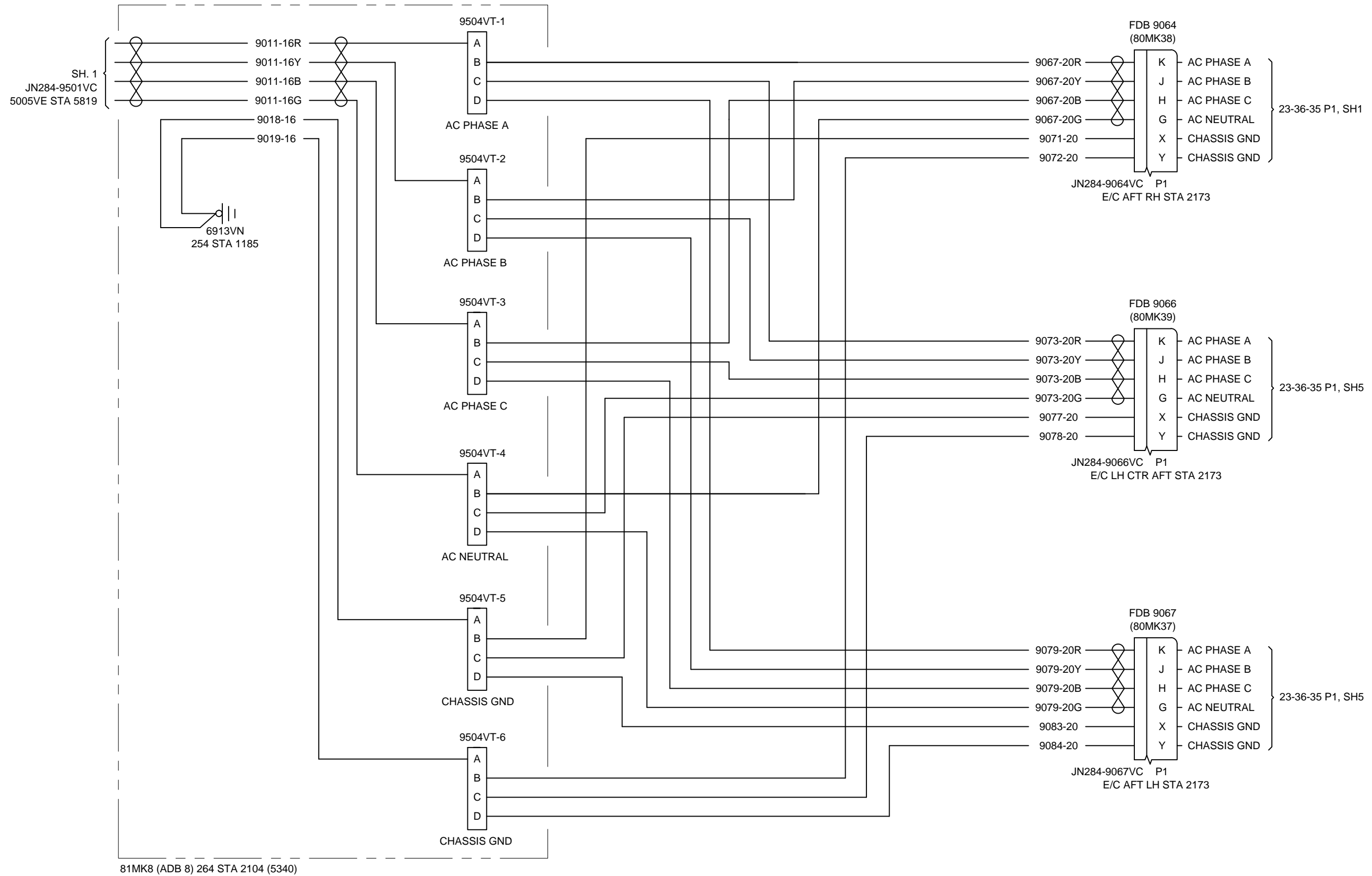
Page 1 Sheet 4
30th April 2012

UNLESS OTHERWISE SPECIFIED ALL WIRES IDENTIFICATION ARE PREFIXED WITH JN284-2333
UNLESS OTHERWISE SPECIFIED ALL ROUTES ARE 2M
UNLESS OTHERWISE SPECIFIED STATION (STA) NUMBERING IS IN INCHES (MILLIMETERS)



A340 Wiring Diagram Manual

A340-WDM-Supp 001
Rev. 1



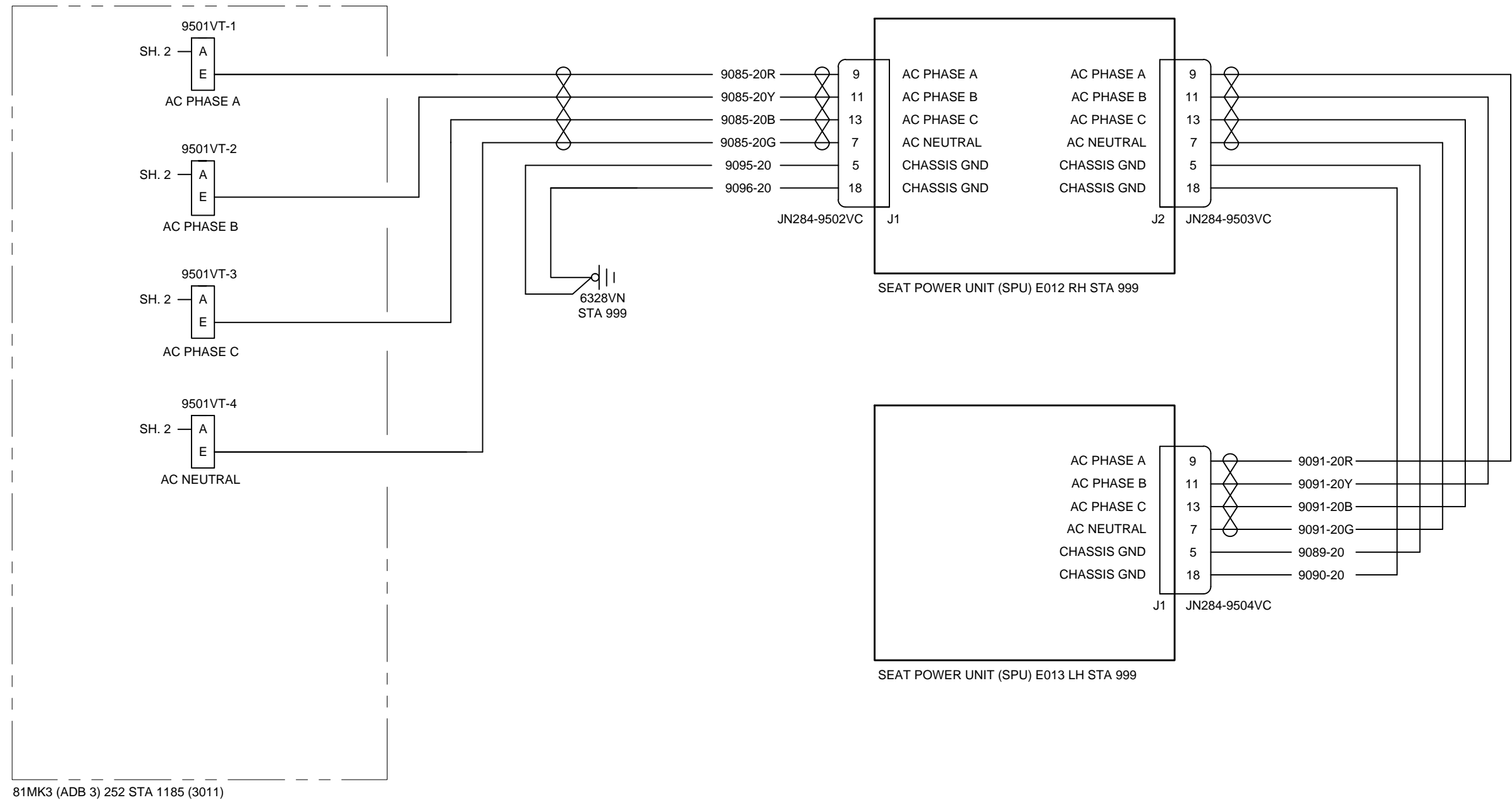
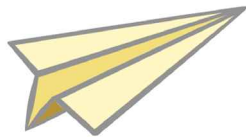
Effectivity: ALL

SYSTEM POWER DISTRIBUTION - E/C

23-33-40

Page 1 Sheet 5
30th April 2012

UNLESS OTHERWISE SPECIFIED ALL WIRES IDENTIFICATION ARE PREFIXED WITH JN284-2333
UNLESS OTHERWISE SPECIFIED ALL ROUTES ARE 2M
UNLESS OTHERWISE SPECIFIED STATION (STA) NUMBERING IS IN INCHES (MILLIMETERS)



81MK3 (ADB 3) 252 STA 1185 (3011)

