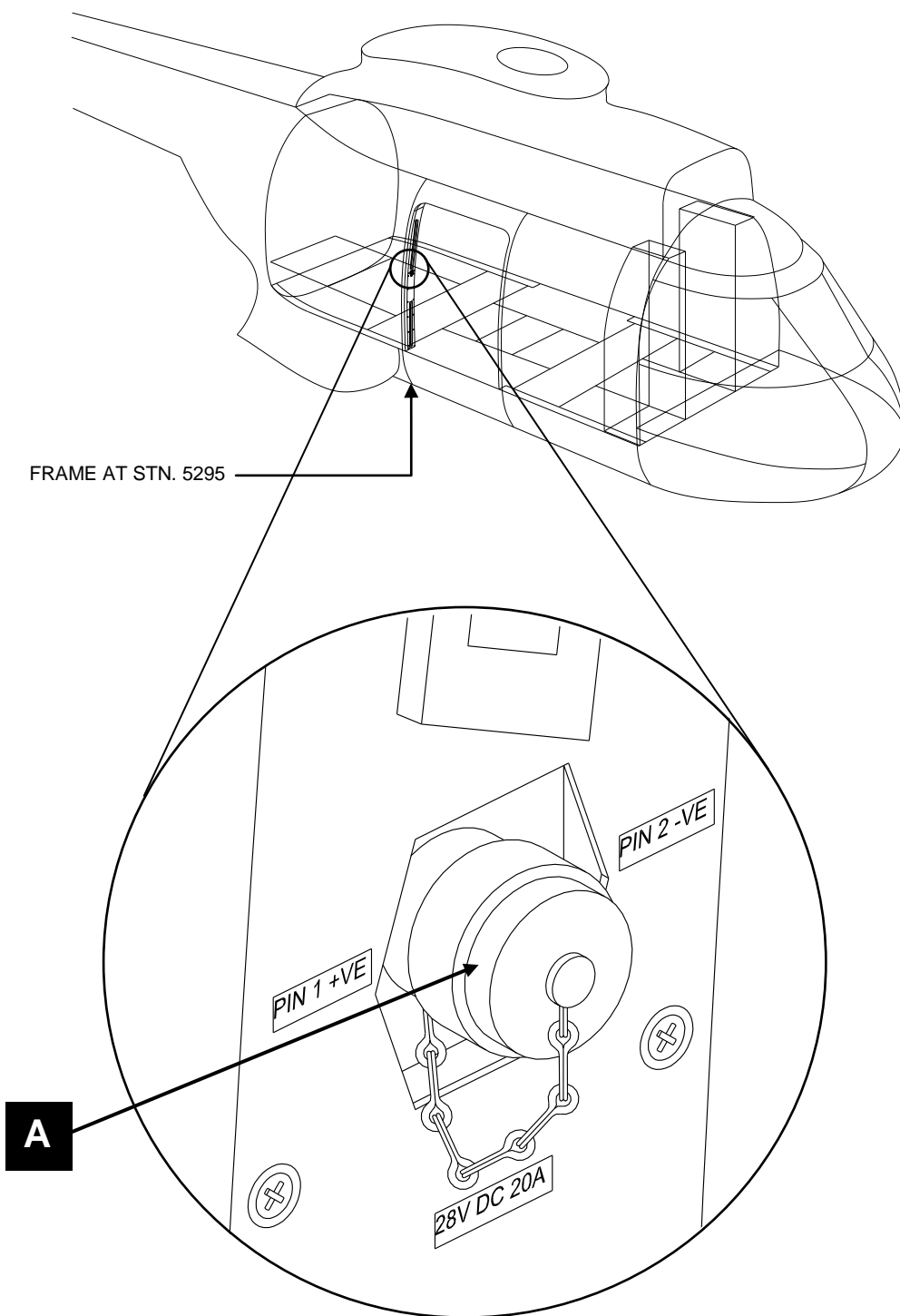
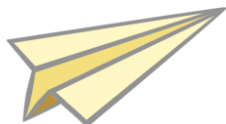


CHAPTER 24

ELECTRICAL POWER



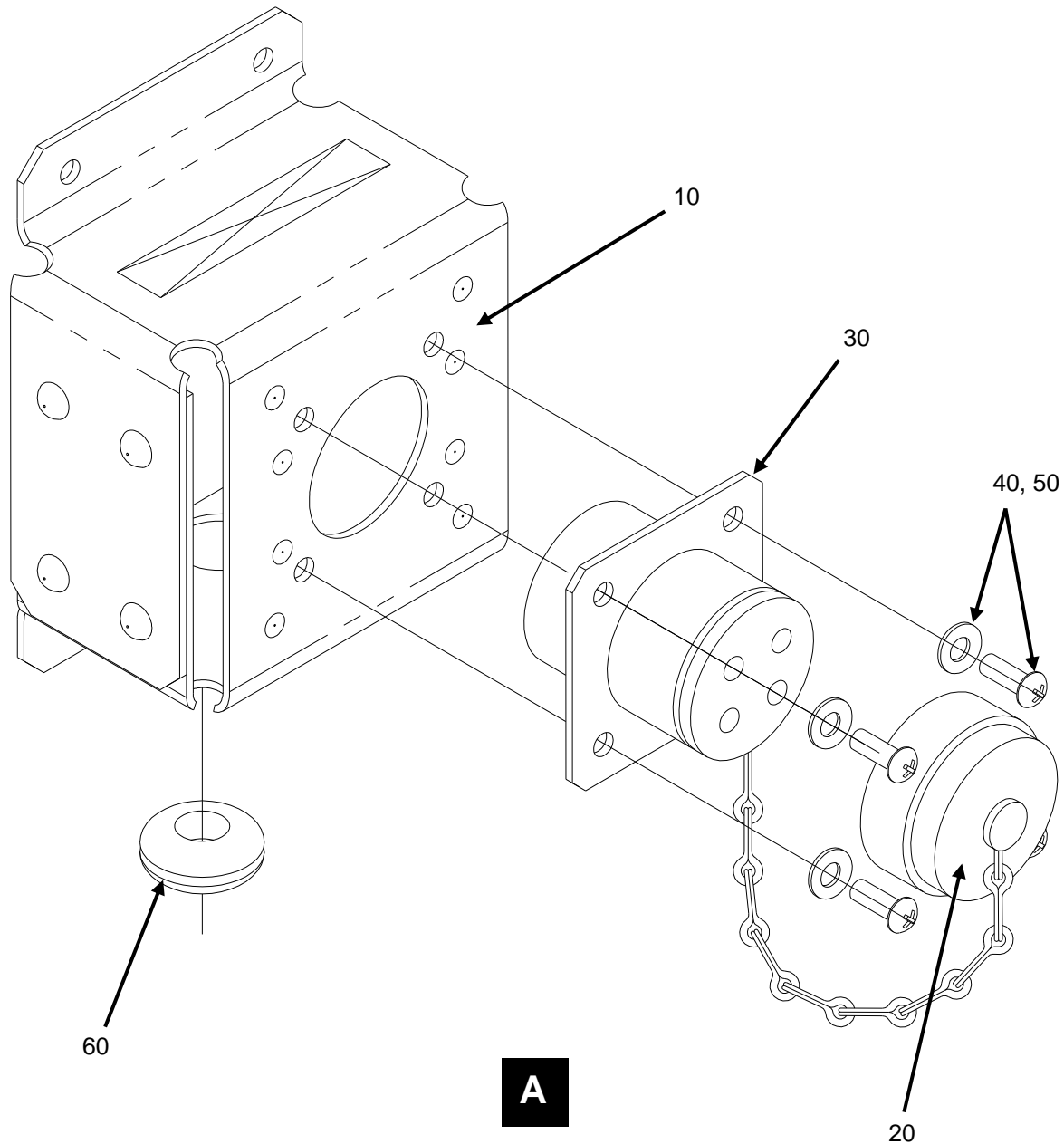
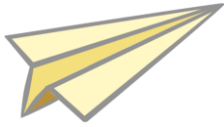
AUXILIARY POWER CONNECTOR INSTALLATION
Figure 01 (Sheet 1 of 2)

Effectivity:

24-60-50-01

Page 1

August 1, 2011



AUXILIARY POWER CONNECTOR INSTALLATION
Figure 01 (Sheet 2 of 2)

Effectivity:

24-60-50-01

Page 2

August 1, 2011



SA330SM

Illustrated Parts Catalog

1105-IPC
Revision A

FIG. ITEM	PART NUMBER	1 2 3 4 5 6 7	NOMENCLATURE	EFFECT		UNITS PER ASSY
				FROM	TO	
01						
- 1	ECUK3302005-200-1		• AUX POWER CONN. INSTALLATION	ALL	ALL	REF
10	ECUK3302005-500-1		•• BRACKET ASSEMBLY	ALL	ALL	1
20	MS3183E19		•• DUST CAP (HELLERMANN-DEUTCH)	ALL	ALL	1
30	MS3132E19-4S		•• SOCKET (HELLERMANN-DEUTCH)	ALL	ALL	1
40	22272BC030010L		•• SCREW M3	ALL	ALL	4
50	23111AG030LE		•• WASHER M3	ALL	ALL	4
60	MS35489-6		•• GROMMET	ALL	ALL	1

- ITEM NOT ILLUSTRATED

Effectivity:

24-60-50-01

Page 3

August 1, 2011