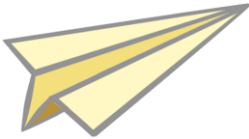


CHAPTER

23

COMMUNICATIONS

Effectivity: ALL



SEAT POWER UNIT (SPU) – REMOVAL / INSTALLATION

Task 23-33-65-000-901-A

Removal of the Seat Power Unit (SPU)

1. **Reason for the Job**

Self explanatory.

2. **Job Set-up Information**

A. Work Zones and Access Panels

ZONE/ACCESS	ZONE DESCRIPTION
200	UPPER HALF FUSELAGE

B. Referenced Information

REFERENCE	DESIGNATION
Task 24-42-00-862-801-A	De-Energize Electrical Circuits

3. **Job Set-up**

A. Make sure that the aircraft electrical circuits are de-energized.

(Ref. AMM Task 24-42-00-862-801-A).

B. Get access to the applicable circuit breaker panel then open, safety and tag these circuit breakers:

PANEL	DESIGNATION	FIN	LOCATION
5001VE	BC B/H LCD	JN284-CB01	G10
5001VE	CP	JN284-CB04	G13
5005VE	PHASE A	24MK	A11
5005VE	PHASE B	26MK	A12
5005VE	PHASE C	29MK	C12

4. **Procedure**

A. Removal

(1) Make sure the IFE Master Power switch is set to the OFF position and ensure all affected units are isolated.

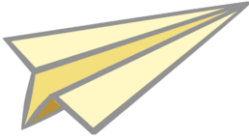
(2) Remove connector cables J1, J2, J3, J4, and J5 from the SPU.

Effectivity: ALL

23-33-65 PB401

Page 1

30th Apr 2012



A340

Aircraft Maintenance Manual

JN284-A340-AMM-Supp 001

Rev. 1

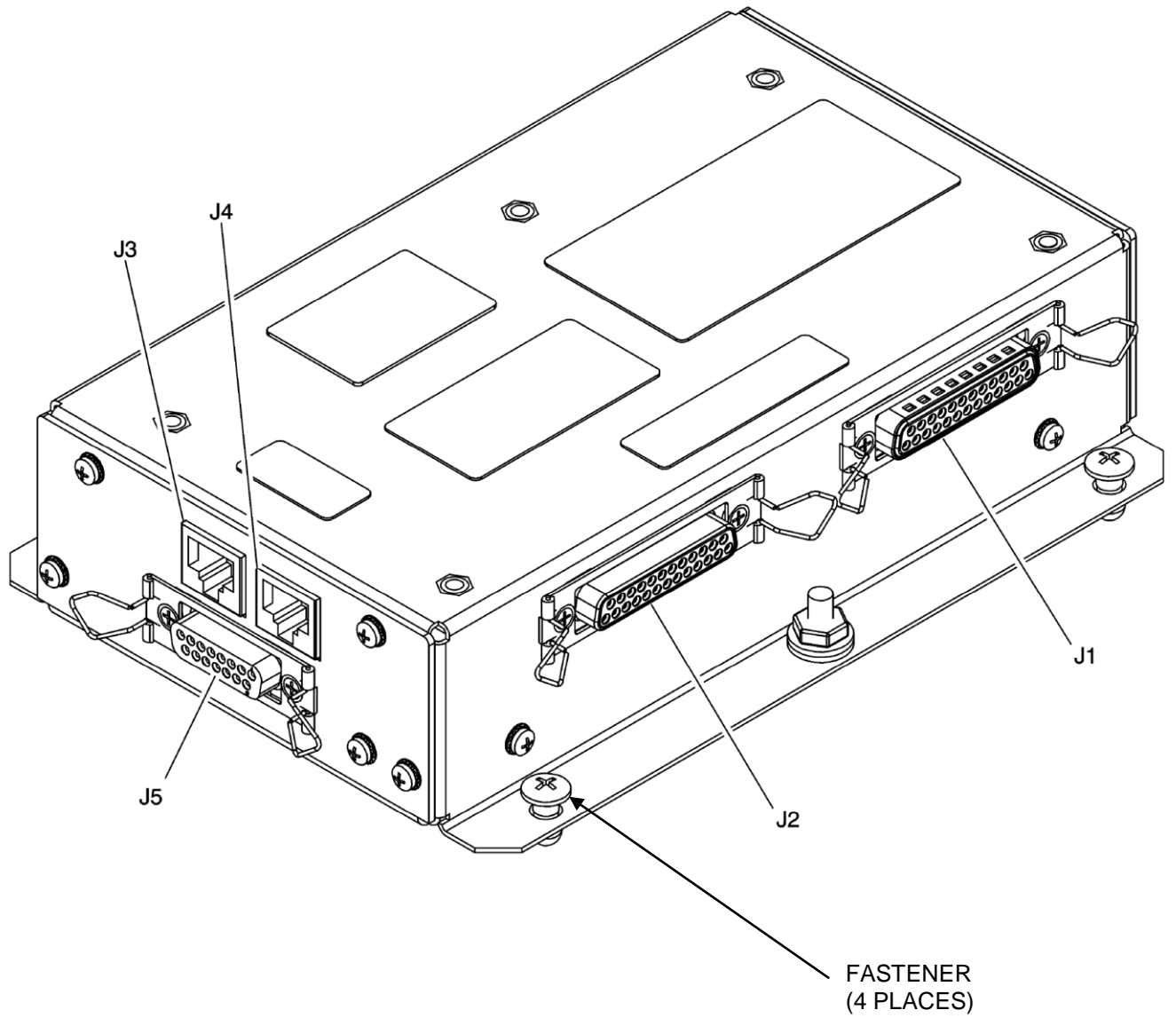
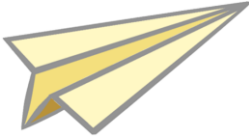
-
- (3) Remove the four (4) ¼-turn fasteners on the SPU (refer to Figure 23-33-61-92800-A - Seat Power Unit (SPU) - Removal).

Effectivity: ALL

23-33-65 PB401

Page 2

30th Apr 2012



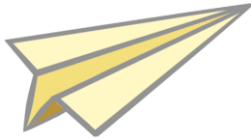
Seat Power Unit (SPU) - Removal
FIGURE 23-33-65-92800-A (SHEET 1 OF 1)

Effectivity: ALL

23-33-65 PB401

Page 3

30th Apr 2012



Task 23-33-65-400-901-A
Installation of the Seat Power Unit (SPU)

1. Reason for the Job

Self explanatory.

2. Job Set-up Information

A. Work Zones and Access Panels

ZONE/ACCESS	ZONE DESCRIPTION
200	UPPER HALF FUSELAGE

B. Referenced Information

REFERENCE	DESIGNATION
Task 24-42-00-862-801-A	De-Energize Electrical Circuits
Figure 23-33-65-92800-A	Seat Power Unit (SPU) - Removal

3. Job Set-up

A. Make sure that the aircraft electrical circuits are de-energized.

(Ref. AMM Task 24-42-00-862-801-A).

B. Get access to the applicable circuit breaker panel then open, safety and tag these circuit breakers:

PANEL	DESIGNATION	FIN	LOCATION
5001VE	BC B/H LCD	JN284-CB01	G10
5001VE	CP	JN284-CB04	G13
5005VE	PHASE A	24MK	A11
5005VE	PHASE B	26MK	A12
5005VE	PHASE C	29MK	C12

4. Procedure

A. Installation

(1) Make sure the IFE Master Power switch is set to the OFF position and ensure all affected units are isolated.

NOTE: Verify that the mounting plate area that makes contact with the SPU is flat to ensure full contact with the surface of the SPU.

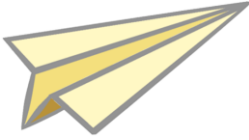
(2) Install the four (4) ¼-turn fasteners, on the SPU (Ref. Fig. 23-33-65-92800-A - Seat Power Unit (SPU) - Removal).

Effectivity: ALL

23-33-65 PB401

Page 4

30th Apr 2012



NOTE: Make sure that the mounting plate extends past the SPU flanges by at least one inch.

NOTE: Make sure that there are no holes in the bracket between the SPU mounting points and the seat attachment points.

- (3) Connect connector cables J1, J2, J3, J4, and J5 as follows: (Ref. Fig. 23-33-65-92800-A - Seat Power Unit (SPU) - Removal).
- (a) Connect the J1 Connector which provides input of AC power and data to the SPU.
 - (b) Connect the J2 Connector which provides the output of AC power and data to the following SPU.
 - (c) Connect the J3 Connector which provides an output for data to the SDU.
 - (d) Connect the J4 Connector which provides an input data from the SDUs to be relayed to other units.
 - (e) Connect the J5 Connector which provides DC power to the SDUs.

Effectivity: ALL

23-33-65 PB401

Page 5

30th Apr 2012